

DWEM1

Draw Wire Encoder

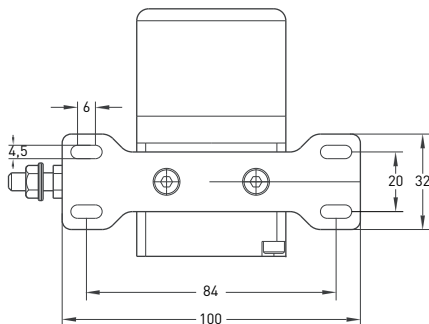
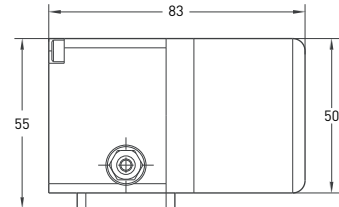
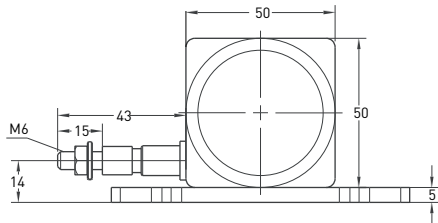
Metal Case



Technical Specifications

Measurement stroke	0 - 1200 mm
Type of measurement	Optical
Resolution	0.1 mm/pulse, 0.2 mm/pulse
Output signal	A,B,Z or A,Ā B,Ā Z,Ā
Output signal type	Push-Pull, TTL Linedriver or High Linedriver
Power supply	8 -24 VDC, 5 VDC or 5 - 30 VDC
Power consumption (without load)	< 40 mA (24 VDC)
Electrical connections	2.5 m cable (standard)
Displacement speed	2 m/s
Case material	Aluminium
Weight	< 500 gr.
Protection level	IP 65
Operating temperature	-20°C ... +80°C
Storage temperature	-30°C ... +90°C

Mechanical Specifications



Push-Pull Cable Output

+V : Brown
 0V : White
 GND : Shield
 Ch A : Yellow
 Ch B : Green
 Ch Z : Gray

TTL - High Linedriver Cable Output

+V : Brown
 0V : White
 GND : Shield
 Ch A : Yellow
 Ch B : Green
 Ch Z : Gray
 Ch A inv. : Blue
 Ch B inv. : Red
 Ch Z inv. : Pink

DWEM2

Draw Wire Encoder

Metal Case

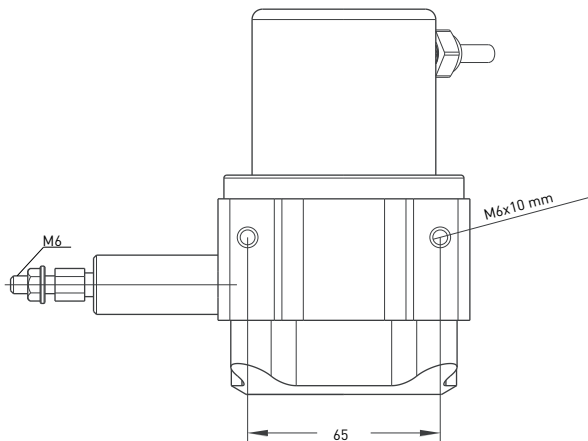
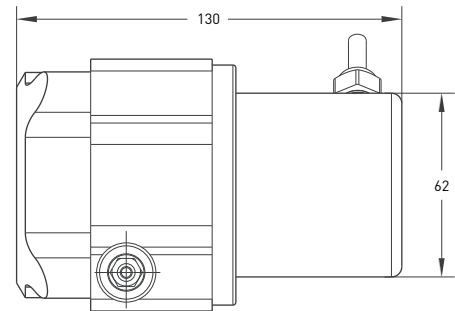
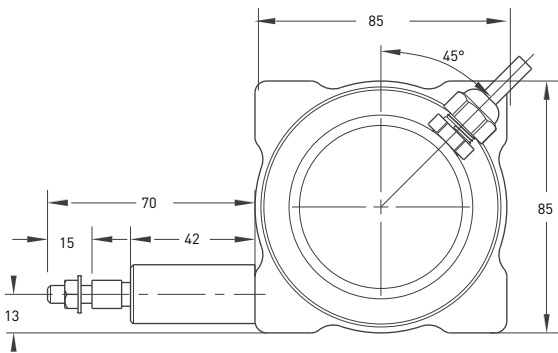
INCREMENTAL 



Technical Specifications

Measurement stroke	1250 - 4200 mm
Type of measurement	Optical
Resolution	0.1 mm/pulse, 0.2 mm/pulse
Output signal	A,B,Z or A,Ä B,Û Z,Ž
Output signal type	Push-Pull, TTL Linedriver or High Linedriver
Power supply	8 -24 VDC, 5 VDC or 5 - 30 VDC
Power consumption (without load)	< 40 mA (24 VDC)
Electrical connections	2.5 m cable (standard)
Displacement speed	2 m/s
Case material	Aluminium
Weight	< 1300 gr.
Protection level	IP 65
Operating temperature	-20°C ... +80°C
Storage temperature	-30°C ... +90°C

Mechanical Specifications



Push-Pull Cable Output

+V : Brown
 0V : White
 GND : Shield
 Ch A : Yellow
 Ch B : Green
 Ch Z : Gray

TTL - High Linedriver Cable Output

+V : Brown
 0V : White
 GND : Shield
 Ch A : Yellow
 Ch B : Green
 Ch Z : Gray
 Ch A inv. : Blue
 Ch B inv. : Red
 Ch Z inv. : Pink

DWEM3

Draw Wire Encoder

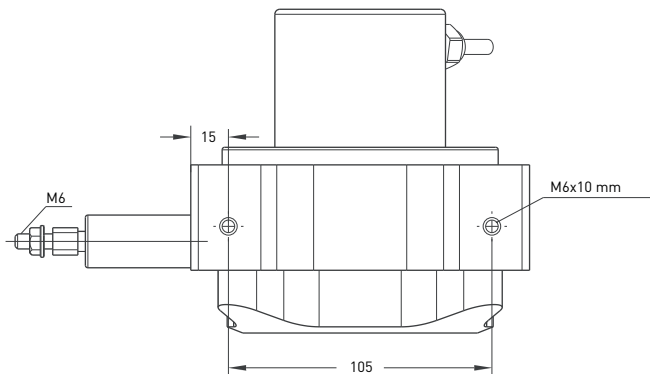
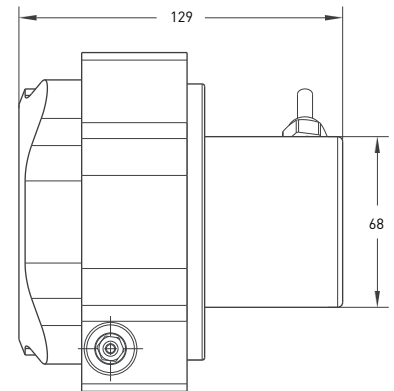
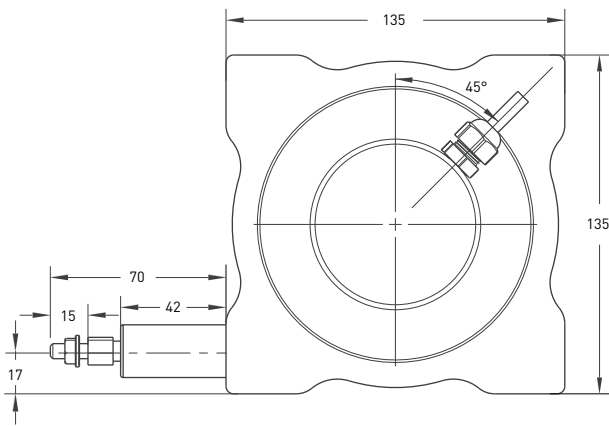
Metal Case



Technical Specifications

Measurement stroke	4250 - 10000 mm
Type of measurement	Optical
Resolution	0.1 mm/pulse, 0.2 mm/pulse
Output signal	A,B,Z or A,Ā B,Ḃ Z,Ż
Output signal type	Push-Pull, TTL Linedriver or High Linedriver
Power supply	8 -24 VDC, 5 VDC or 5 - 30 VDC
Power consumption (without load)	< 40 mA (24 VDC)
Electrical connections	2.5 m cable (standard)
Displacement speed	2 m/s
Case material	Aluminium
Weight	< 2200 gr.
Protection level	IP 65
Operating temperature	-20°C ... +80°C
Storage temperature	-30°C ... +90°C

Mechanical Specifications



Push-Pull Cable Output

+V : Brown
 0V : White
 GND : Shield
 Ch A : Yellow
 Ch B : Green
 Ch Z : Gray

TTL - High Linedriver Cable Output

+V : Brown
 0V : White
 GND : Shield
 Ch A : Yellow
 Ch B : Green
 Ch Z : Gray
 Ch A inv. : Blue
 Ch B inv. : Red
 Ch Z inv. : Pink

DWEM4

Draw Wire Encoder Metal Case

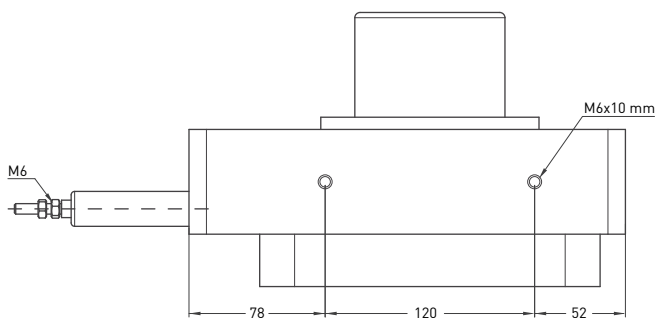
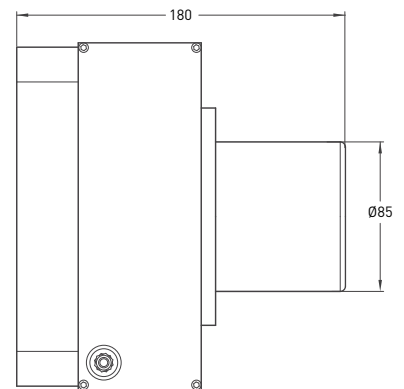
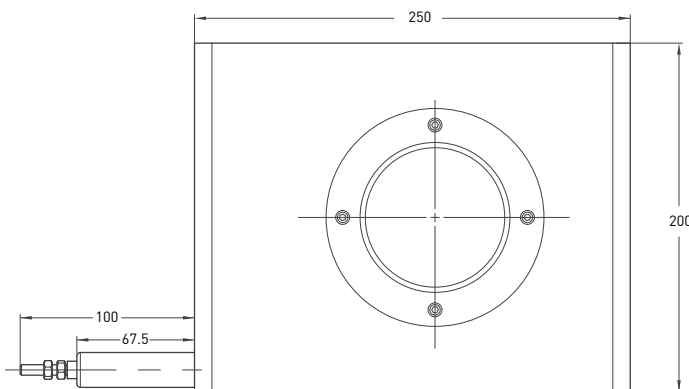
INCREMENTAL



Technical Specifications

Measurement stroke	10000 - 20000 mm
Type of measurement	Optical
Resolution	0,1 mm/pulse 0,2 mm/pulse
Output signal	A, B, Z or A, \bar{A} , B, \bar{B} , Z, \bar{Z}
Output signal type	Push-Pull, TTL Linedriver or HLD
Power supply	5 - 24 VDC, 5 VDC
Power consumption (without load)	< 40 mA (24 VDC)
Electrical connections	2.5 m cable (standard)
Displacement speed	2 m/s
Case material	Aluminium
Weight	< 5000 gr
Protection level	IP 65
Operating temperature	-20°C ... +80°C
Storage temperature	-30°C ... +90°C

Mechanical Specifications



Push-Pull Cable Output

+V : Brown
0V : White
GND : Shield
Ch A : Yellow
Ch B : Green
Ch Z : Gray

TTL - High Linedriver Cable Output

+V : Brown
0V : White
GND : Shield
Ch A : Yellow
Ch B : Green
Ch Z : Gray
Ch A inv. : Blue
Ch B inv. : Red
Ch Z inv. : Pink

DWPM1

Draw Wire Potentiometer

Metal Case

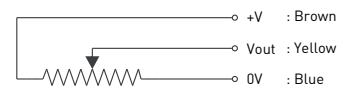
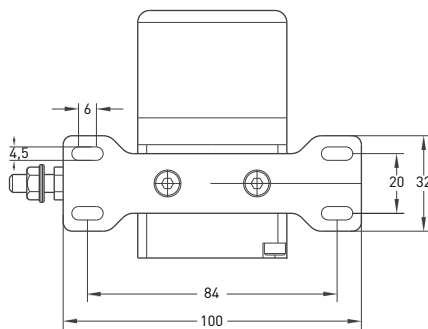
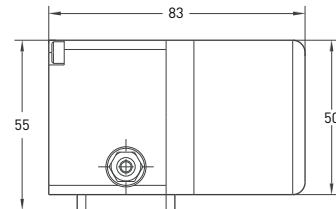
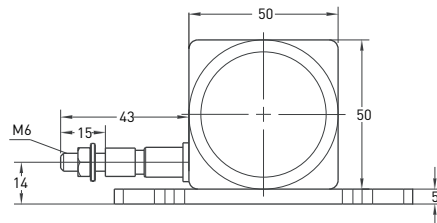
RESISTIVE Ω

ANALOG 0-10 V
4-20 mA

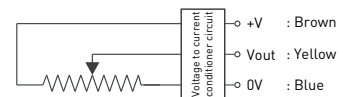


Technical Specifications	
Measurement stroke	0 - 1200 mm
Type of measurement	Resistive (voltage divider)
Linearity	%0.5
Output type	Potentiometric output : 5 kOhm / 10 kOhm Analog output : 0 - 5V, 0 - 10 V, 0 - 20 mA, 4 - 20 mA
Power supply	24 VDC max. 15 - 30 V (voltage / current output)
Electrical connections	2.5 m cable (standard)
Displacement speed	2 m/s
Case material	Aluminium
Weight	< 350 gr.
Protection level	IP 65
Operating temperature	-20°C ... +80°C
Storage temperature	-30°C ... +90°C

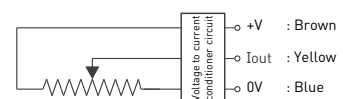
Mechanical Specifications



POTENTIOMETRIC OUTPUT



0-10V VOLTAGE OUTPUT



0-20mA / 4-20mA CURRENT OUTPUT

DWPM2

Draw Wire Potentiometer Metal Case



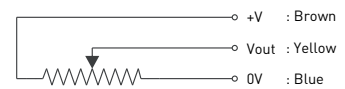
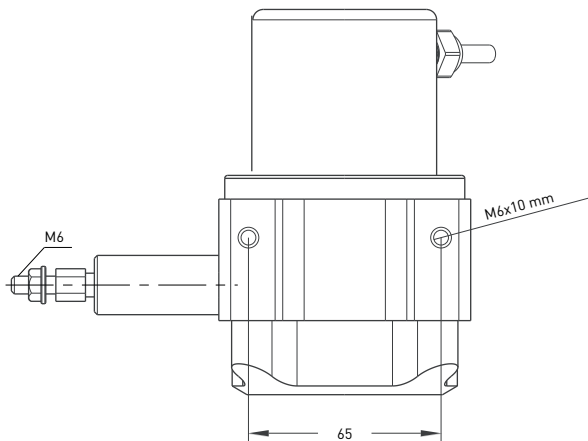
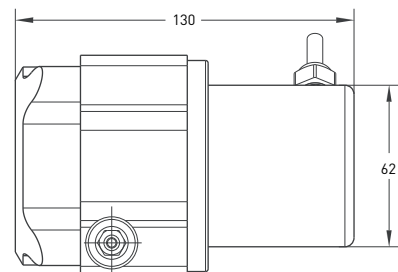
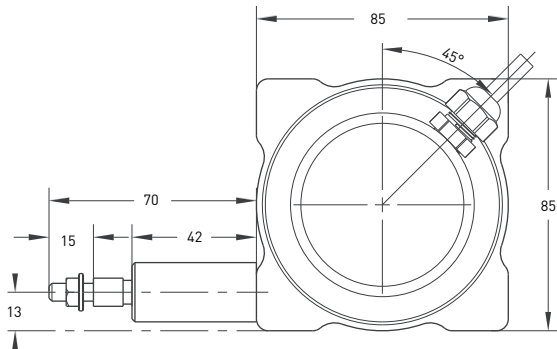
RESISTIVE Ω

ANALOG 0-10 V
4-20 mA

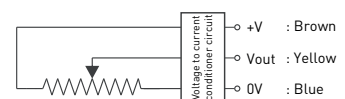
Technical Specifications

Measurement stroke	1250 - 4500 mm
Type of measurement	Resistive (voltage divider)
Linearity	%0.5
Output type	Potentiometric output : 5 kOhm / 10 kOhm Analog output : 0 - 5V, 0 - 10 V, 0 - 20 mA, 4 - 20 mA
Power supply	24 VDC max. 15 - 30 V (voltage / current output)
Electrical connections	2.5 m cable (standard)
Displacement speed	2 m/s
Case material	Aluminium
Weight	< 1300 gr.
Protection level	IP 65
Operating temperature	-20°C ... +80°C
Storage temperature	-30°C ... +90°C

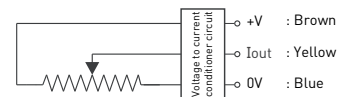
Mechanical Specifications



POTENTIOMETRIC OUTPUT



0-10V VOLTAGE OUTPUT



0-20mA / 4-20mA CURRENT OUTPUT

DWPM3

Draw Wire Potentiometer

Metal Case

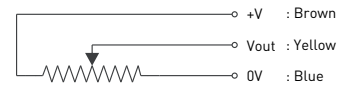
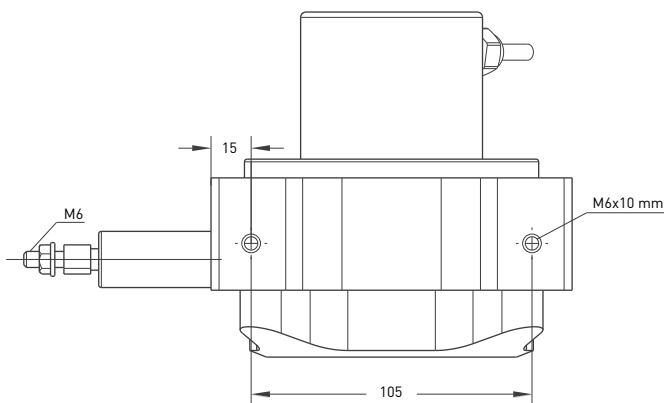
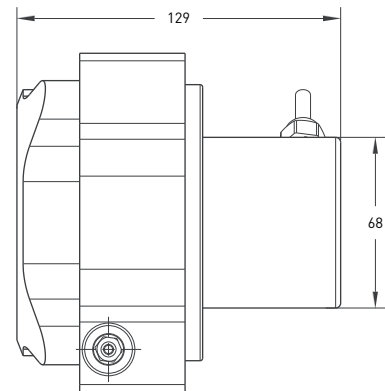
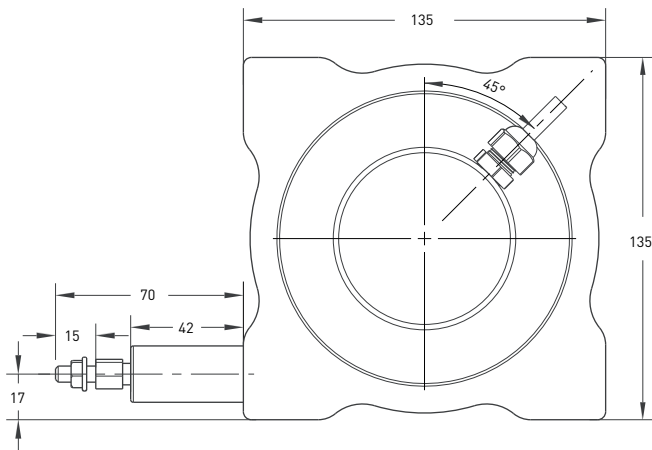
RESISTIVE Ω

ANALOG 0-10 V
4-20 mA

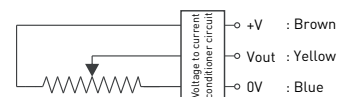


Technical Specifications	
Measurement stroke	4550 - 10000 mm
Type of measurement	Resistive (voltage divider)
Linearity	%0.5
Output type	Potentiometric output : 5 kOhm / 10 kOhm Analog output : 0 - 5V, 0 - 10 V, 0 - 20 mA, 4 - 20 mA
Power supply	24 VDC max. 15 - 30 V (voltage / current output)
Electrical connections	2.5 m cable (standard)
Displacement speed	2 m/s
Case material	Aluminium
Weight	< 2100 gr.
Protection level	IP 65
Operating temperature	-20°C ... +80°C
Storage temperature	-30°C ... +90°C

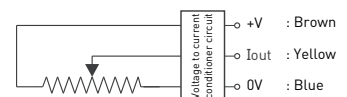
Mechanical Specifications



POTENTIOMETRIC OUTPUT



0-10V VOLTAGE OUTPUT



0-20mA / 4-20mA CURRENT OUTPUT

DWPM4

Draw Wire Potentiometer Metal Case



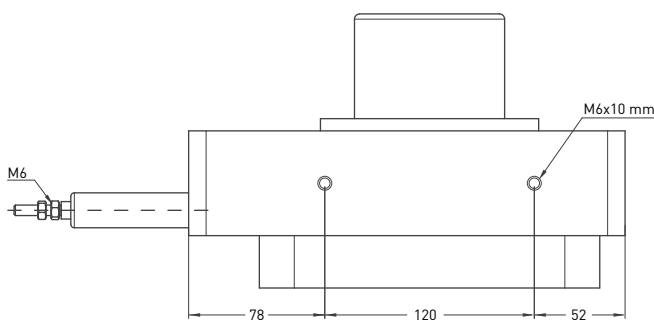
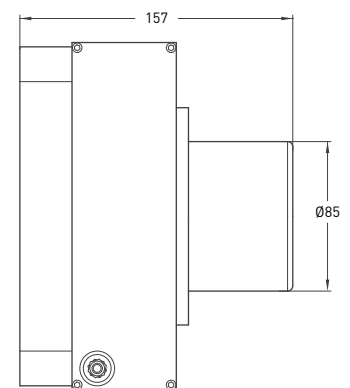
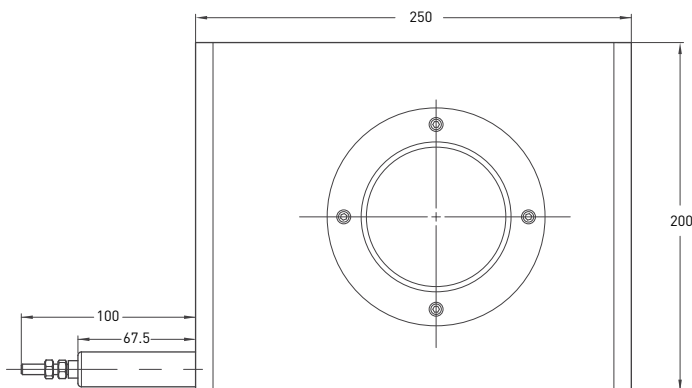
RESISTIVE Ω

ANALOG 0-10 V
4-20 mA

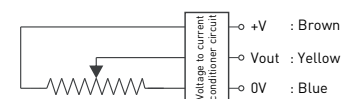
Technical Specifications

Measurement stroke	10000 - 20000 mm
Type of measurement	Resistive (voltage divider)
Linearity	0,5 %
Output type	Resistive output : 5 kOhm / 10 kOhm Analog output : 0-5 V, 0-10 V , 0-20 mA yada 4-20 mA
Power supply	24 VDC max. 15 - 30 V (voltage / current output)
Electrical connections	2.5 m cable (standard)
Displacement speed	2 m/s
Case material	Aluminium
Weight	< 5000 gr
Protection level	IP 65
Operating temperature	-20°C ... +80°C
Storage temperature	-30°C ... +90°C

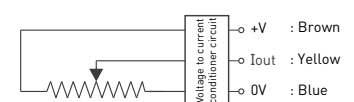
Mechanical Specifications



POTENTIOMETRIC OUTPUT



0-10V VOLTAGE OUTPUT



0-20mA / 4-20mA CURRENT OUTPUT

PRODUCTION RANGE

RESISTIVE
POTENTIOMETRIC



Linear Potentiometers
Long Stroke Serie

RESISTIVE
POTENTIOMETRIC



Linear Potentiometers
Short Stroke - Compact Serie

ANALOG V/mA



Linear Potentiometers
Internal Voltage - Current Conditioner Serie

Sensopulse
MAGNETOSTRICTIVE

ANALOG V/mA



Non-Contact Magnetostrictive
Position Sensors

Sensopulse
MAGNETOSTRICTIVE



CANopen



CANbus

EtherCAT

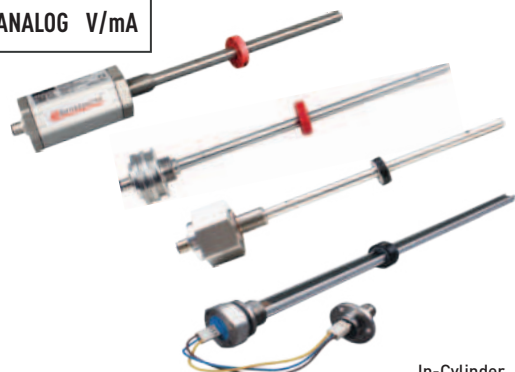


Non-Contact Magnetostrictive
Position Sensors

Sensopulse
MAGNETOSTRICTIVE

RESISTIVE
POTENTIOMETRIC

ANALOG V/mA



In-Cylinder
Position Sensors

PRODUCTION RANGE

INCREMENTAL 

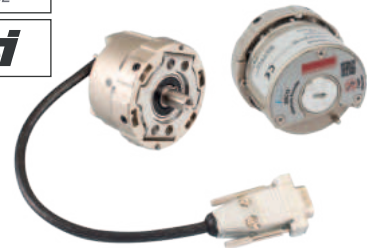


Optic / Magnetic
Rotary Encoders

 Sine
Cosine

 IBISS
INTERFACE

 SSI



Optic Rotary Absolute Encoders
(for synchronous gearless motors)

RESISTIVE
POTENTIOMETRIC

INCREMENTAL 

ANALOG V/mA



Draw Wire Potentiometers
Draw Wire Encoders

RESISTIVE
POTENTIOMETRIC

ANALOG V/mA



Rotary Sensors Magnetic,
Contactless Analog Output

INCREMENTAL 



Magnetic Linear Encoders

 PROFIBUS

 CANopen

 Modbus

 EtherCAT



Analog-FieldBUS Converters



Panel-Type Measurement and Control Devices



Hot Runner Temperature Controls



TÜRKİYE
Headquarter, R&D, Production

OPKON Optik Elektronik Kontrol Sanayi ve Ticaret A.Ş.
Terazidere Mah. 29 Ekim Cad. No:34 Bayrampaşa / İstanbul / TÜRKİYE
Tel : +90 (212) 501 48 63
Fax : +90 (212) 501 48 83
Web : www.opkon.com.tr
E-mail : export@opkon.com.tr

ALMANYA
Subsidiary

SENSORMARKET GmbH
Graeffstrasse, 5, 50823 Köln / ALMANYA
Tel : +49 22159495400
Fax : +49 22159495402
Web : www.sensormarker.eu
E-mail : sales@sensormarket.eu

ÇİN
Subsidiary

DANZI Sense Technology
[Shanghai] Co., LTD. Room 123 - B, F/1, No. 1000 Ziyue Road, Minhang District, 200240 Shanghai / ÇİN
Hotline : 400 8050 889
Tel : 021 - 64091719
Fax : 021 - 64091713
Web : www.opkonchina.com
E-mail : marketing@opkonchina.com

opkon.com.tr

Please note: The specifications and information in this datasheet may not cover all special demands arising from specific applications. Therefore, they do not constitute a comprehensive description of the product properties. OPKON accepts no responsibility for damages resulting from the improper application of our products. The user is responsible for ensuring that the products used are suitable for their own application.