

**NON-CONTACT
MAGNETOSTRICTIVE POSITION SENSORS**

MSS

Non-Contact Magnetostrictive Position Sensor

ANALOG V / mA

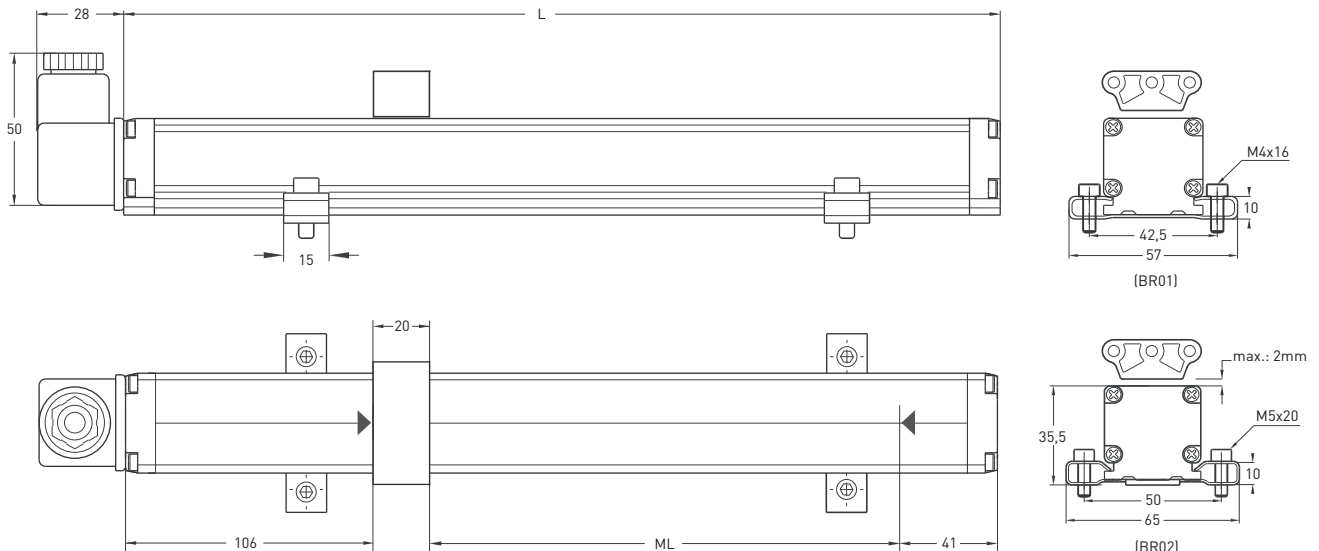
Sensopulse
MAGNETOSTRICTIVE



Technical Specifications

Measurement stroke	50 - 5000 mm
Resolution	16 bit DAC output
Linearity	50-100 mm < %1, 100-300 mm < %0.2, 300-500 mm < %0.1, 500-5000 mm > %0.05
Repeatability	±0,01% (full scale)
Output	0-10V, 10-0V, 0-20 mA, 20-0 mA, 4-20 mA, 20-4 mA (Speed information can be provided optionally.)
Power supply	24 VDC ±10%
Displacement speed	< 5 m/s
Update time	(0-600mm, 0,5ms), (600-1500mm, 1ms), (1500-3000mm, 2ms), (1501-5000mm, 3ms)
Max. consumption	50 mA - 90 mA (depending on stroke length)
Max. output noise	< 5 mVpp
Reverse polarity protection	Up to -30 VDC
Overvoltage protection	Up to +30 VDC
Vibration	EN 60068-2-6 , 5-200 Hz 200 m/s ² (20g) , 2h 30 min. each axis (x,y,z)
Shock	EN 60068-2-2:2007 500 m/s ² (50g) , 11ms. (x,y,z axis)
Case dimensions	33 mm x 33 mm
Case material	Anodized aluminium
Mechanical fixing	Variable brackets
Protection level	IP 65
Operating temperature	-10°C ... +70°C
Storage temperature	-30°C ... +90°C

Mechanical Specifications

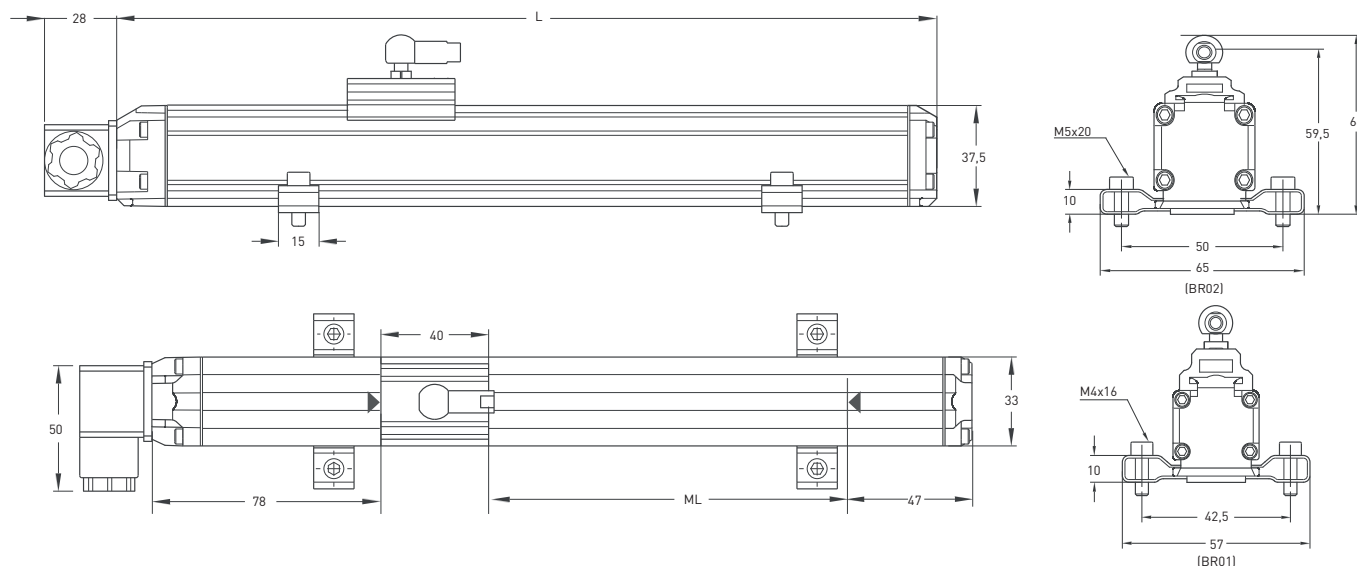


Non-Contact Magnetostrictive Position Sensor

ANALOG V / mA

Sensopulse[®]
MAGNETOSTRICTIVE**Technical Specifications**

Measurement stroke	50 - 5000 mm
Resolution	16 bit DAC output
Linearity	50-100 mm < %1, 100-300 mm < %0.2, 300-500 mm < %0.1, 500-5000 mm > %0.05
Repeatability	±0,01% (full scale)
Output	0-10V, 10-0V, 0-20 mA, 20-0 mA, 4-20 mA, 20-4 mA (Speed information can be provided optionally.)
Power supply	24 VDC ±10%
Displacement speed	< 5 m/s
Update time	(0-600mm, 0,5ms), (600-1500mm, 1ms), (1500-3000mm, 2ms), (1501-5000mm, 3ms)
Max. consumption	50 mA - 90 mA (depending on stroke length)
Max. output noise	< 5 mVpp
Reverse polarity protection	Up to -30 VDC
Overvoltage protection	Up to +30 VDC
Vibration	EN 60068-2-6 , 5-200 Hz 200 m/s ² (20g) , 2h 30 min. each axis (x,y,z)
Shock	EN 60068-2-2:2007 500 m/s ² (50g) , 11ms. (x,y,z axis)
Case dimensions	33 mm x 33 mm
Case material	Anodized aluminium
Mechanical fixing	Variable brackets
Protection level	IP 65
Operating temperature	-10°C ... +70°C
Storage temperature	-30°C ... +90°C

Mechanical Specifications

MSR

Non-Contact Magnetostrictive Position Sensor

ANALOG V / mA

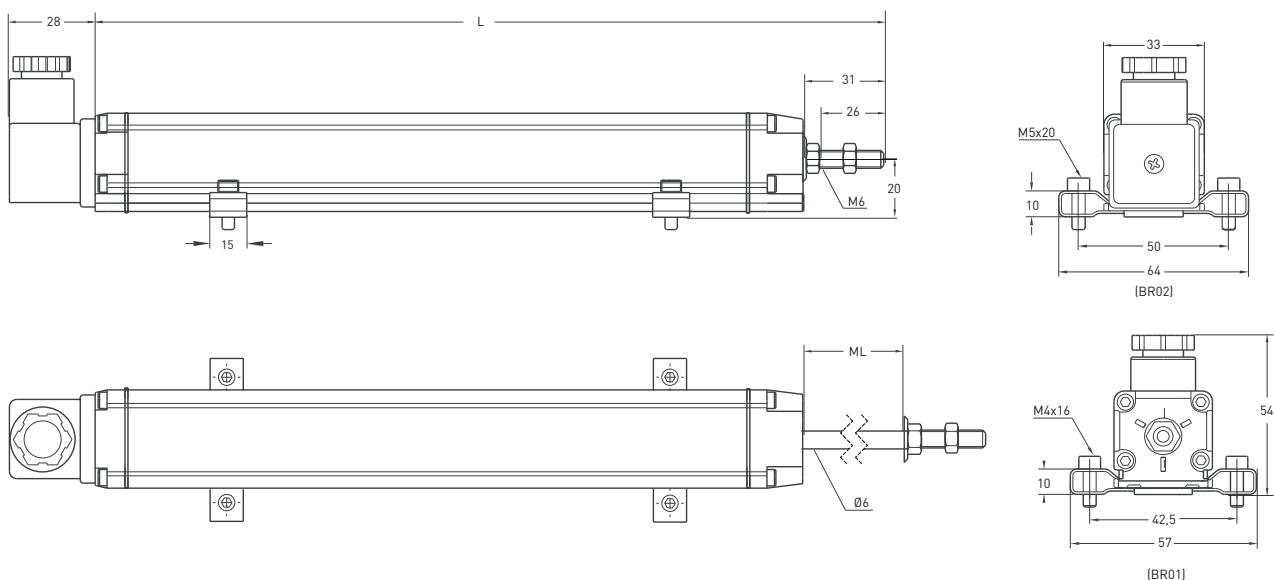
Sensopulse
MAGNETOSTRICTIVE



Technical Specifications

Measurement stroke	50 - 1000 mm
Resolution	16 bit DAC output
Linearity	50-100 mm < %1, 100-300 mm < %0.2, 300-500 mm < %0.1, 500-1000 mm > %0.05
Repeatability	±0,01% (full scale)
Output	0-10V, 10-0V, 0-20 mA, 20-0 mA, 4-20 mA, 20-4 mA
Power supply	24 VDC ±10%
Displacement speed	< 5 m/s
Update time	(0-600mm, 0,5ms), (600-1000mm, 1ms)
Max. consumption	50 mA - 90 mA (depending on stroke length)
Max. output noise	< 5 mVpp
Reverse polarity protection	Up to -30 VDC
Overvoltage protection	Up to +30 VDC
Vibration	EN 60068-2-6 , 5-200 Hz 200 m/s ² (20g) , 2h 30 min. each axis (x,y,z)
Shock	EN 60068-2-2:2007 500 m/s ² (50g) , 11ms. (x,y,z axis)
Case dimensions	33 mm x 33 mm
Case material	Anodized aluminium
Rod dimensions	Ø6 mm
Rod material	Stainless steel
Mechanical fixing	Variable brackets
Protection level	IP 65
Operating temperature	-10°C ... +70°C
Storage temperature	-30°C ... +90°C

Mechanical Specifications



Non-Contact Magnetostrictive Position Sensor

ANALOG V / mA

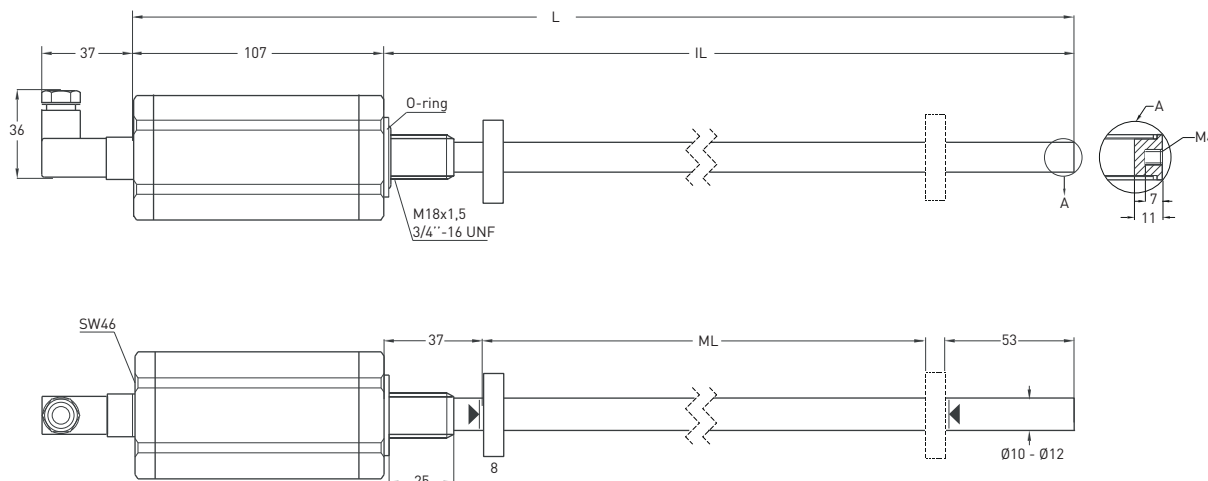
Sensopulse
MAGNETOSTRICTIVE



Technical Specifications

Measurement stroke	50 - 5000 mm
Resolution	12-16 bit DAC output
Linearity	50-100 mm < %1, 100-300 mm < %0.2, 300-500 mm < %0.1, 500-5000 mm > %0.05
Repeatability	±0,01% (full scale)
Output	0-10V, 10-0V, 0-20 mA, 20-0 mA, 4-20 mA, 20-4 mA (Speed information can be provided optionally.)
Power supply	24 VDC (22 -26V)
Displacement speed	< 5 m/s
Update time	(0-600mm, 0,5ms), (600-1500mm, 1ms), (1500-3000mm, 2ms), (1501-5000mm, 3ms)
Max. consumption	50 mA - 90 mA (depending on stroke length)
Max. output noise	< 5 mVpp
Reverse polarity protection	Up to -30 VDC
Overvoltage protection	Up to +30 VDC
Vibration	EN 60068-2-6 , 5-200 Hz 200 m/s ² (20g) , 2h 30 min. each axis (x,y,z)
Shock	EN 60068-2-2:2007 500 m/s ² (50g) , 11ms. (x,y,z axis)
Case dimensions	33 mm x 33 mm
Case material	Anodized aluminium
Rod dimensions	Ø6 mm
Rod material	Stainless steel
Mechanical fixing	Variable brackets
Protection level	IP 65
Operating temperature	-10°C ... +70°C
Storage temperature	-30°C ... +90°C

Mechanical Specifications



MSTL

Non-Contact Magnetostrictive Position Sensor

ANALOG V / mA

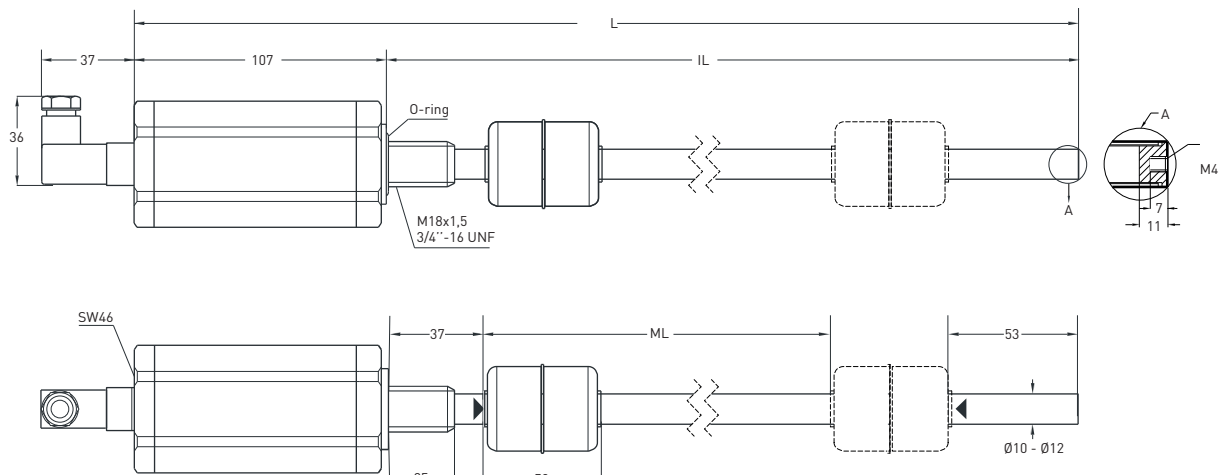
Sensopulse
MAGNETOSTRICTIVE



Technical Specifications

Measurement stroke	50 - 5000 mm
Resolution	16 bit DAC output
Repeatability	100 µm
Output	0-10V, 10-0V, 0-20 mA, 20-0 mA, 4-20 mA, 20-4 mA (Speed information can be provided optionally.)
Power supply	24 VDC ±10%
Displacement speed	max. < 5 m/s
Sampling rate	Up to 2 kHz (depending on stroke length)
Max. consumption	50 mA - 90 mA (depending on stroke length)
Max. output noise	< 5mVpp
Linearity	50-100 mm < %1, 100-300 mm < %0.2, 300-500 mm < %0.1, 500-5000 mm > %0.05
Vibration	EN 60068-2-6, 5-200 Hz 200 m/s ² (20g), 2h 30min each axis (x,y,z)
Shock	EN 60068-2-2:2007 500 m/s ² (50g), 11ms. (x,y,z axis)
Update time	(0-600mm, 0,5ms), (600-1500mm, 1ms), (1500-3000mm, 2ms), (1501-5000mm, 3ms)
Reverse polarity protection	Up to -30 VDC
Overvoltage protection	Up to +30 VDC
Pressure rating	< 500 bar
Mounting	M18 x 1.5 or 3/4"-16 UNF
Case material	Profile : Anodized aluminium, Tube : Stainless steel, Caps : Stainless steel
Protection level	IP 65
Operating temperature	-10°C ... +70°C
Storage temperature	-30°C ... +90°C

Mechanical Specifications



In-Hydraulic Cylinders Magnetostrictive Position Sensor

ANALOG V / mA

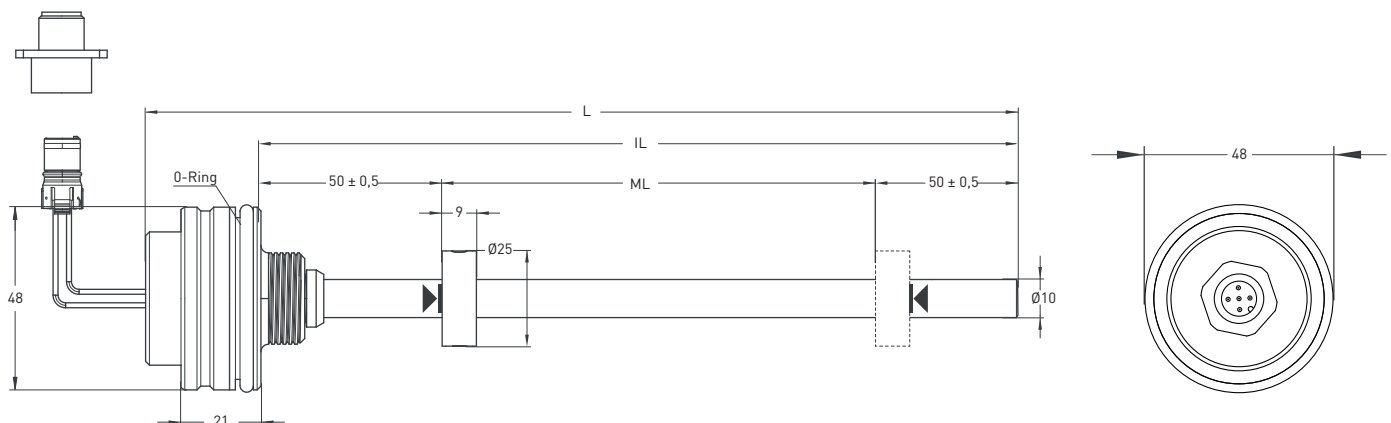
Sensopulse
MAGNETOSTRICTIVE



Technical Specifications

Measurement stroke	50 - 1500 mm
Resolution	15 bit DAC
Repeatability	100 µm
Output	0-20mA, 4-20mA
Power supply	24 VDC ±10%
Displacement speed	<5 m/s
Linearity	50-100 mm < %1, 100-300 mm < %0.2, 300-500 mm < %0.1, 500-1500 mm > %0.05
Sampling rate	Up to 2 kHz (depending on stroke length)
Vibration	EN 60068-2-6, 5-200 Hz 200 m/s ² (20g), 2h 30 min. each axis (x,y,z)
Shock	EN 60068-2-2:2007 500 m/s ² (50g), 11ms. (x,y,z axis)
Update time	(0-600 mm, 0,5 ms), (600-1500 mm, 1 ms)
Max. consumption	< 50 mA - 90 mA (depending on stroke length)
Max. output noise	< 5 mVpp
Load resistance	max. 500 Ohm
Reverse polarity protection	Up to -30 VDC
Overvoltage protection	Up to +30 VDC
Pressure rating	< 500 bar
Sealing	O-ring: NBR Backup Ring: PTFE
Mechanical fixing	M24 x 1.5 Flat
Case material	Case: Stainless steel, Tube: Stainless steel, Caps: Anodized aluminium
Protection level	IP 67
Operating temperature	-10°C ... +70°C
Storage temperature	-30°C ... +90°C

Mechanical Specifications



MSPB

Non-Contact Magnetostrictive Position Sensor In Cylinder Applications

ANALOG V / mA

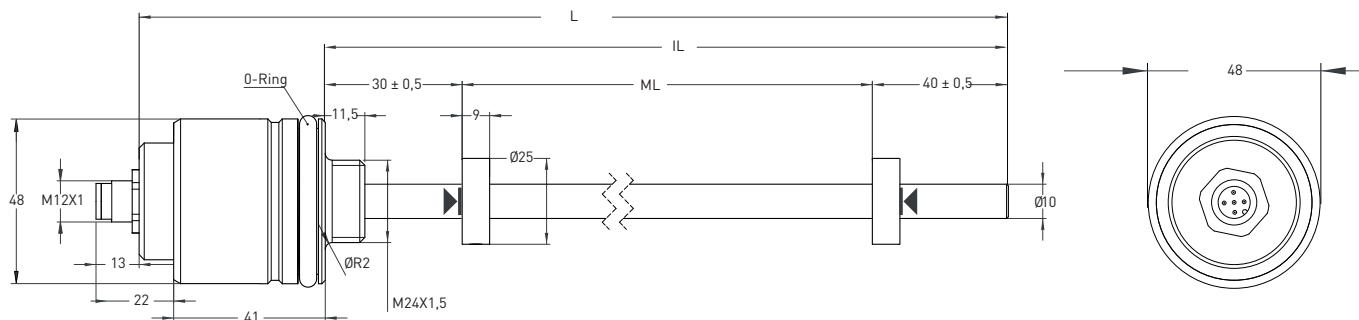
Sensopulse
MAGNETOSTRICTIVE



Technical Specifications

Measurement stroke	50 - 1500 mm
Resolution	15 bit DAC output
Repeatability	100 µm
Output	0-20mA, 4-20mA
Power supply	24 VDC ±10%
Displacement speed	max. <5 m/s
Linearity	50-100 mm < %1, 100-300 mm < %0.2, 300-500 mm < %0.1, 500-1500 mm > %0.05
Sampling rate	Up to 2 kHz (depending on stroke length)
Vibration	EN 60068-2-6 , 5-200 Hz 200 m/s ² (20g) , 2h 30min each axis (x,y,z)
Shock	EN 60068-2-2:2007 500 m/s ² (50g) , 11ms. (x,y,z axis)
Update time	(0-600 mm, 0,5 ms), (600-1500 mm, 1 ms)
Max. consumption	< 50 mA - 90 mA (depending on stroke length)
Max. output noise	< 5 mVpp
Load resistance	max. 500 Ohm
Reverse polarity protection	Up to -30 VDC
Overvoltage protection	Up to 30 VDC
Pressure rating	< 500 bar
Sealing	O-ring: NBR, Backup Ring: PTFE
Mounting	M18 x 1.5 or 3/4"-16 UNF, O-ring or Flat
Case material	Profile :Anodized aluminium, Tube: Stainless steel, Caps: Stainless steel
Protection level	IP 67
Operating temperature	-10°C ... +70°C
Storage temperature	-30°C ... +90°C

Mechanical Specifications



Internal/External Mounting Hydraulic Cylinders
Magnetostrictive Position Sensor

ANALOG V / mA

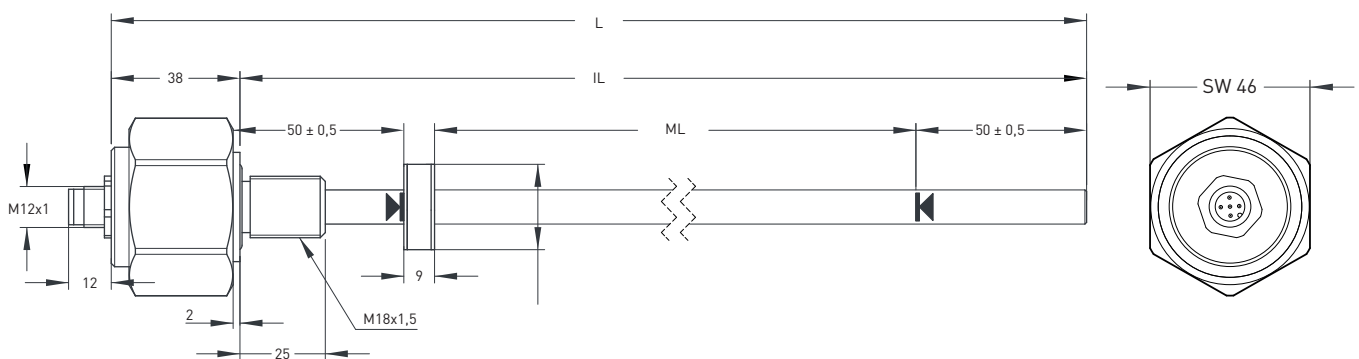
 **MAGNETOSTRICTIVE**



Technical Specifications

Measurement stroke	50 - 1500 mm
Resolution	15 bit DAC
Repeatability	100 µm
Output	0-20mA, 4-20mA
Power supply	24 VDC ±10%
Displacement speed	<5 m/s
Linearity	50-100 mm < %1, 100-300 mm < %0.2, 300-500 mm < %0.1, 500-1500 mm > %0.05
Sampling rate	Up to 2 kHz (depending on stroke length)
Vibration	EN 60068-2-6, 5-200 Hz 200 m/s ² (20g), 2h 30 min. each axis (x,y,z)
Shock	EN 60068-2-2:2007 500 m/s ² (50g), 11ms. (x,y,z axis)
Update time	(0-600 mm, 0,5 ms), (600-1500 mm, 1 ms)
Max. consumption	< 50 mA - 90 mA (depending on stroke length)
Load resistance	max. 500 Ohm
Reverse polarity protection	Up to -30 VDC
Overvoltage protection	Up to +30 VDC
Pressure rating	< 500 bar
Sealing	O-ring: NBR
Mechanical fixing	M18 x 1.5 or 3/4"-16 UNF O-ring
Case material	Case: Stainless steel, Tube: Stainless steel, Caps: Anodized aluminium
Protection level	IP 67
Operating temperature	-10°C ... +70°C
Storage temperature	-30°C ... +90°C

Mechanical Specifications



DMSS

Digital Non-Contact Magnetostrictive Position Sensor



PROFINET - Technical Specifications

Interface	PROFINET IO
Protocol	PROFINET Ethernet 100 Base-Tx to IEEE 802.x
Baud rate	10 Mbit/s max.
Green LED	Power on, PROFINET communication active
Red LED	Error, stop mode

EtherCAT - Technical Specifications

Interface	EtherCAT
Protocol	EtherCAT 100 Base-Tx, Fast ethernet
Baud rate	max. 100 Mbit/s
Green LED	Power on, EtherCAT communication active
Red LED	Error, stop mode

CANbus - Technical Specifications

Interface	CAN
Protocol	CANopen, CANbus
Communication profile	CiA301, CiA406 V3.2
Node ID	1 - 127 (default node ID : 20)
Green LED	Power on, CAN communication active
Red LED	Error, stop mode

Modbus - Technical Specifications

Interface	CiA301, CiA406 V3.2
Protocol	Modbus
Node ID	1 - 247
Baud rate	9600 - 115200 bit/second

PROFIBUS - Technical Specifications

Interface	Profibus-DP
Protocol	Profibus-DP V0/V1/V2
Linedriver	Galvanic isolation
Node ID	1 - 127 (default node ID : 20)
Green LED	Power on, PROFIBUS communication active
Red LED	Error, stop mode

CANopen - Technical Specifications

Interface	CAN
Protocol	CANopen, CANbus
Haberleşme profili	CiA301, CiA406 V3.2
Node ID	1 - 127 (default node ID : 20)
Green LED	Power on, CAN communication active
Red LED	Error, stop mode

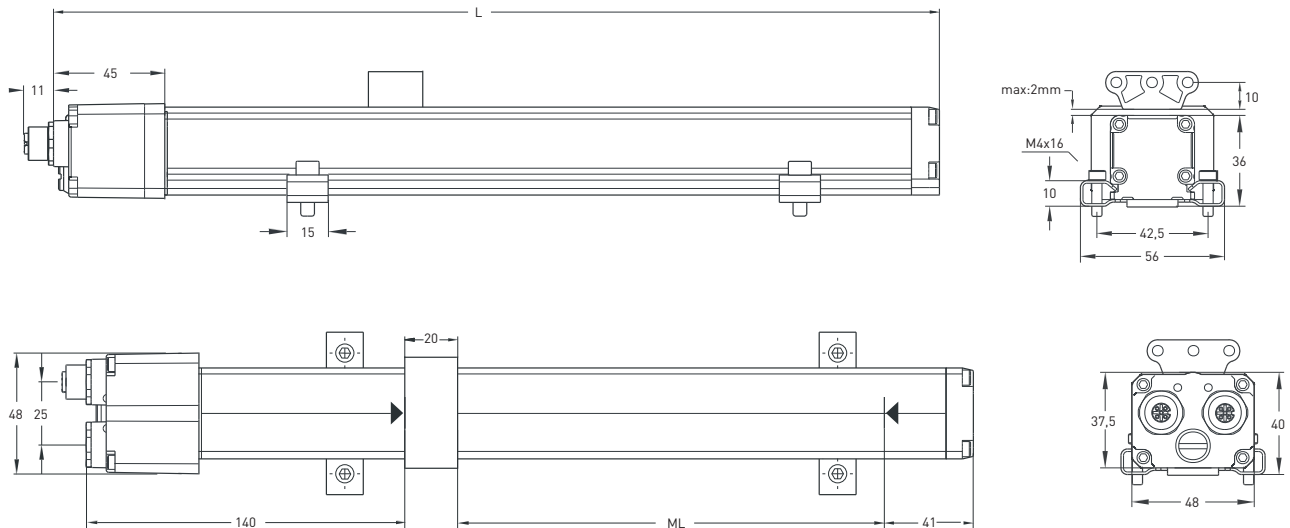
SSI - Technical Specifications

Interface	RS422 / RS485
Protocol	SSI binary, SSI gray
Status LED	Optional
Green LED	Power on, SSI communication active
Red LED	Error, stop mode

BISS - Technical Specifications

Interface	RS422 / RS485
Protocol	BISS binary
Status LED	Opsiyonel
Green LED	Power on, BISS communication active
Red LED	Error, stop mode

Mechanical Specifications



Digital Non-Contact Magnetostrictive Position Sensor



PROFINET - Technical Specifications

Interface	PROFINET IO
Protocol	PROFINET Ethernet 100 Base-Tx to IEEE 802.x
Baud rate	10 Mbit/s max.
Green LED	Power on,PROFINET communication active
Red LED	Error, stop mode

EtherCAT - Technical Specifications

Interface	EtherCAT
Protocol	EtherCAT 100 Base-Tx, Fast ethernet
Baud rate	max. 100 Mbit/s
Green LED	Power on, EtherCAT communication active
Red LED	Error, stop mode

CANbus - Technical Specifications

Interface	CAN
Protocol	CANopen, CANbus
Communication profile	CiA301, CiA406 V3.2
Node ID	1 - 127 (default node ID : 20)
Green LED	Power on, CAN communication active
Red LED	Error, stop mode

Modbus - Technical Specifications

Interface	CiA301, CiA406 V3.2
Protocol	Modbus
Node ID	1 - 247
Baud rate	9600 - 115200 bit/second

PROFIBUS - Technical Specifications

Interface	Profibus-DP
Protocol	Profibus-DP V0/V1/V2
Linedriver	Galvanic isolation
Node ID	1 - 127 (default node ID : 20)
Green LED	Power on, PROFIBUS communication active
Red LED	Error, stop mode

CANopen - Technical Specifications

Interface	CAN
Protocol	CANopen, CANbus
Haberleşme profili	CiA301, CiA406 V3.2
Node ID	1 - 127 (default node ID : 20)
Green LED	Power on, CAN communication active
Red LED	Error, stop mode

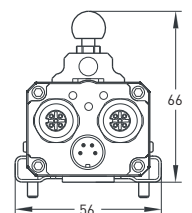
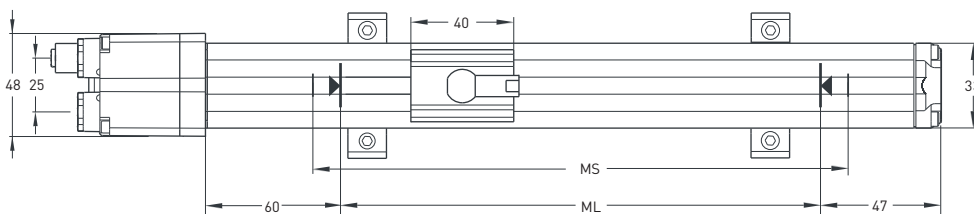
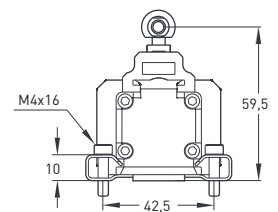
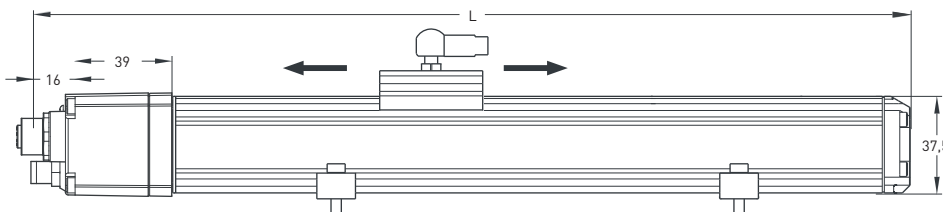
SSI - Technical Specifications

Interface	RS422 / RS485
Protocol	SSI binary, SSI gray
Status LED	Optional
Green LED	Power on, SSI communication active
Red LED	Error, stop mode

BISS - Technical Specifications

Interface	RS422 / RS485
Protocol	BISS binary
Status LED	Opsiyonel
Green LED	Power on, BISS communication active
Red LED	Error, stop mode

Mechanical Specifications



DMSR

Digital Non-Contact Magnetostrictive Position Sensor



PROFINET - Technical Specifications

Interface	PROFINET IO
Protocol	PROFINET Ethernet 100 Base-Tx to IEEE 802.x
Baud rate	10 Mbit/s max.
Green LED	Power on,PROFINET communication active
Red LED	Error, stop mode

EtherCAT - Technical Specifications

Interface	EtherCAT
Protocol	EtherCAT 100 Base-Tx, Fast ethernet
Baud rate	max. 100 Mbit/s
Green LED	Power on, EtherCAT communication active
Red LED	Error, stop mode

CANbus - Technical Specifications

Interface	CAN
Protocol	CANopen, CANbus
Communication profile	CiA301, CiA406 V3.2
Node ID	1 - 127 (default node ID : 20)
Green LED	Power on, CAN communication active
Red LED	Error, stop mode

Modbus - Technical Specifications

Interface	CiA301, CiA406 V3.2
Protocol	Modbus
Node ID	1 - 247
Baud rate	9600 - 115200 bit/second

PROFIBUS - Technical Specifications

Interface	Profibus-DP
Protocol	Profibus-DP V0/V1/V2
Linedriver	Galvanic isolation
Node ID	1 - 127 (default node ID : 20)
Green LED	Power on, PROFIBUS communication active
Red LED	Error, stop mode

CANopen - Technical Specifications

Interface	CAN
Protocol	CANopen, CANbus
Haberleşme profili	CiA301, CiA406 V3.2
Node ID	1 - 127 (default node ID : 20)
Green LED	Power on, CAN communication active
Red LED	Error, stop mode

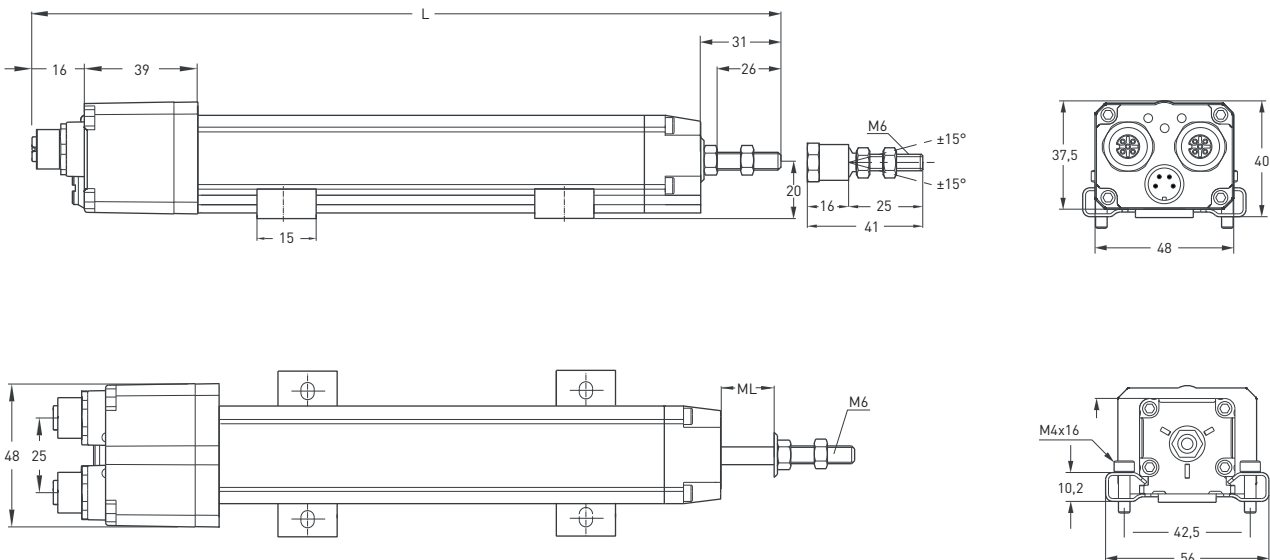
SSI - Technical Specifications

Interface	RS422 / RS485
Protocol	SSI binary, SSI gray
Status LED	Optional
Green LED	Power on, SSI communication active
Red LED	Error, stop mode

BISS - Technical Specifications

Interface	RS422 / RS485
Protocol	BISS binary
Status LED	Opsiyonel
Green LED	Power on, BISS communication active
Red LED	Error, stop mode

Mechanical Specifications





PROFINET - Technical Specifications

Interface	PROFINET IO
Protocol	PROFINET Ethernet 100 Base-Tx to IEEE 802.x
Baud rate	10 Mbit/s max.
Green LED	Power on,PROFINET communication active
Red LED	Error, stop mode

EtherCAT - Technical Specifications

Interface	EtherCAT
Protocol	EtherCAT 100 Base-Tx, Fast ethernet
Baud rate	max. 100 Mbit/s
Green LED	Power on, EtherCAT communication active
Red LED	Error, stop mode

CANbus - Technical Specifications

Interface	CAN
Protocol	CANopen, CANbus
Communication profile	CiA301, CiA406 V3.2
Node ID	1 - 127 (default node ID : 20)
Green LED	Power on, CAN communication active
Red LED	Error, stop mode

Modbus - Technical Specifications

Interface	CiA301, CiA406 V3.2
Protocol	Modbus
Node ID	1 - 247
Baud rate	9600 - 115200 bit/second

PROFIBUS - Technical Specifications

Interface	Profibus-DP
Protocol	Profibus-DP V0/V1/V2
Linedriver	Galvanic isolation
Node ID	1 - 127 (default node ID : 20)
Green LED	Power on, PROFIBUS communication active
Red LED	Error, stop mode

CANopen - Technical Specifications

Interface	CAN
Protocol	CANopen, CANbus
Haberleşme profili	CiA301, CiA406 V3.2
Node ID	1 - 127 (default node ID : 20)
Green LED	Power on, CAN communication active
Red LED	Error, stop mode

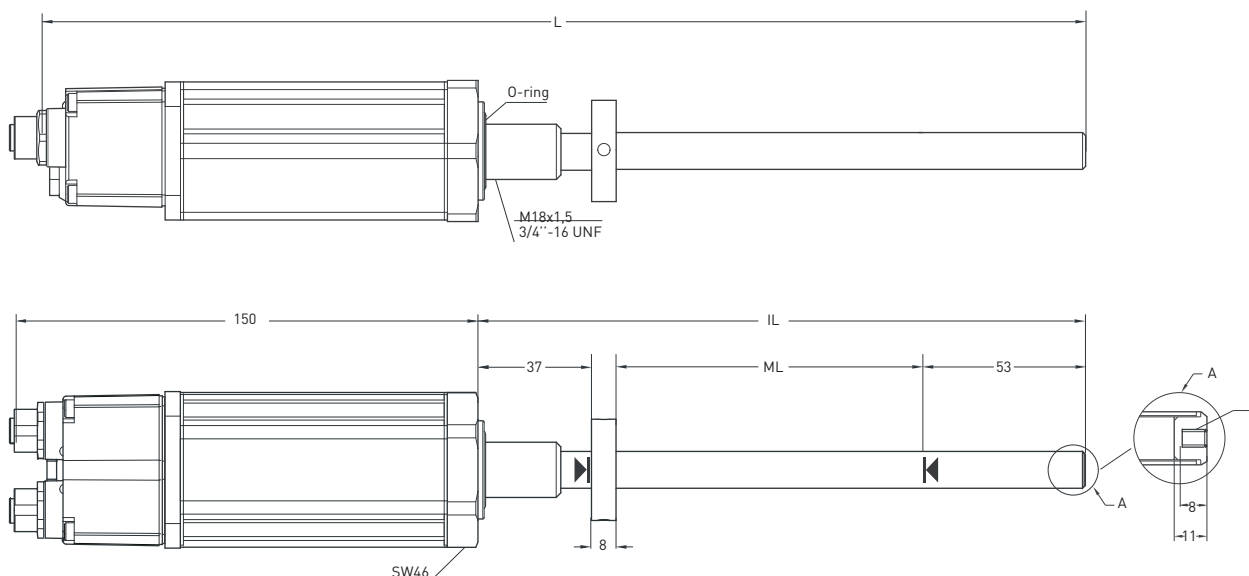
SSI - Technical Specifications

Interface	RS422 / RS485
Protocol	SSI binary, SSI gray
Status LED	Optional
Green LED	Power on, SSI communication active
Red LED	Error, stop mode

BISS - Technical Specifications

Interface	RS422 / RS485
Protocol	BISS binary
Status LED	Opsiyonel
Green LED	Power on, BISS communication active
Red LED	Error, stop mode

Mechanical Specifications



PRODUCTION RANGE

**RESISTIVE
POTENTIOMETRIC**



Linear Potentiometers
Long Stroke Serie

**RESISTIVE
POTENTIOMETRIC**



Linear Potentiometers
Short Stroke - Compact Serie

ANALOG V/mA



Linear Potentiometers
Internal Voltage - Current Conditioner Serie

**Sensopulse®
MAGNETOSTRICTIVE**

ANALOG V/mA



Non-Contact Magnetostrictive
Position Sensors

**Sensopulse®
MAGNETOSTRICTIVE**

Modbus

SSI

CANopen

PROFINET

**BISS
INTERFACE**

CANbus

EtherCAT

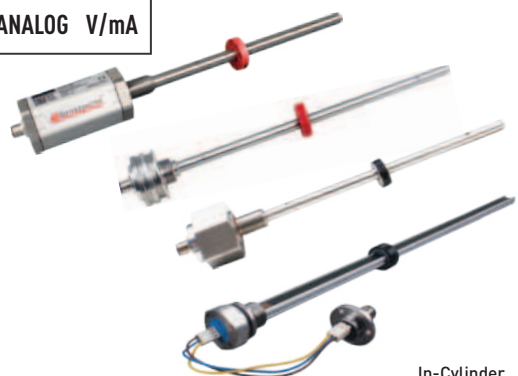


Non-Contact Magnetostrictive
Position Sensors

**Sensopulse®
MAGNETOSTRICTIVE**

**RESISTIVE
POTENTIOMETRIC**

ANALOG V/mA



In-Cylinder
Position Sensors

PRODUCTION RANGE

INCREMENTAL 

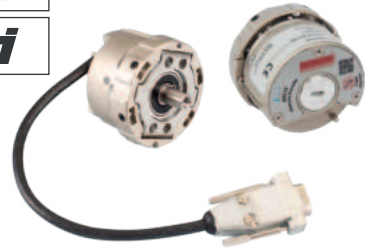


Optic / Magnetic
Rotary Encoders

 Sine
Cosine

 BISS
INTERFACE

 SSI



Optic Rotary Absolute Encoders
(for synchronous gearless motors)

RESISTIVE
POTENTIOMETRIC

INCREMENTAL 

ANALOG V/mA



Draw Wire Potentiometers
Draw Wire Encoders

RESISTIVE
POTENTIOMETRIC

ANALOG V/mA



Rotary Sensors Magnetic,
Contactless Analog Output

INCREMENTAL 



Magnetic Linear Encoders

 PROFI
BUS

 CANopen

 Modbus

 EtherCAT



Analog-FieldBUS Converters



Panel-Type Measurement and Control Devices



Hot Runner Temperature Controls



TÜRKİYE
Headquarter, R&D, Production

OPKON Optik Elektronik Kontrol Sanayi ve Ticaret A.Ş.
Terazidere Mah. 29 Ekim Cad. No:34 Bayrampaşa / İstanbul / TÜRKİYE
Tel : +90 (212) 501 48 63
Fax : +90 (212) 501 48 83
Web : www.opkon.com.tr
E-mail : export@opkon.com.tr

ALMANYA
Subsidiary

SENSORMARKET GmbH
Graeffstrasse, 5, 50823 Köln / ALMANYA
Tel : +49 22159495400
Fax : +49 22159495402
Web : www.sensormarker.eu
E-mail : sales@sensormarket.eu

ÇİN
Subsidiary

DANZI Sense Technology
[Shanghai] Co., LTD. Room 123 - B, F/1, No. 1000 Ziyue Road, Minhang District, 200240 Shanghai / ÇİN
Hotline : 400 8050 889
Tel : 021 - 64091719
Fax : 021 - 64091713
Web : www.opkonchina.com
E-mail : marketing@opkonchina.com

opkon.com.tr

Please note: The specifications and information in this datasheet may not cover all special demands arising from specific applications. Therefore, they do not constitute a comprehensive description of the product properties. OPKON accepts no responsibility for damages resulting from the improper application of our products. The user is responsible for ensuring that the products used are suitable for their own application.