

DWPM2

Draw Wire Potentiometer Metal Case



RESISTIVE Ω

ANALOG 0-10 V
4-20 mA

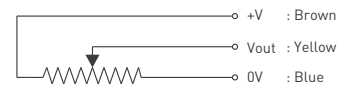
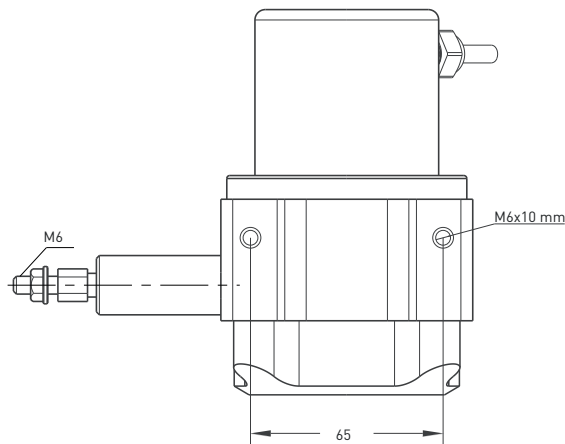
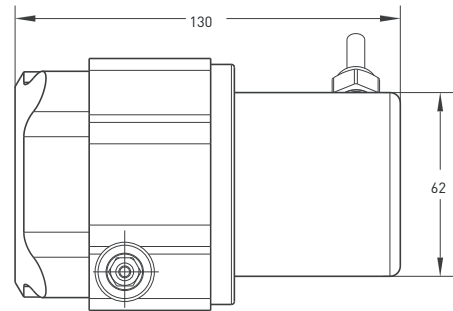
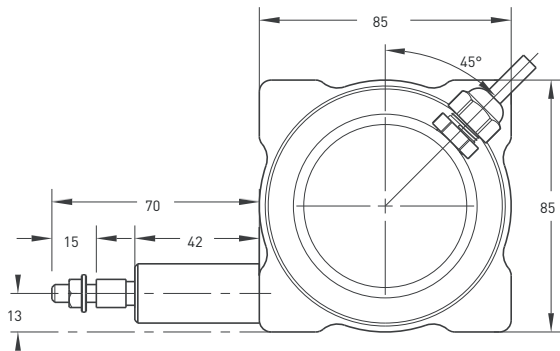


- Measuring length 1250 - 4500 mm
- 5 kOhm / 10 kOhm resistive type or 0-5V, 0-10V, 0-20 mA, 4-20 mA internal electronic circuit

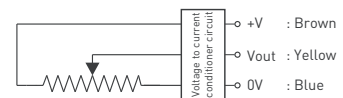
Technical Specifications

| | |
|------------------------|--|
| Measurement stroke | 1250 - 4500 mm |
| Type of measurement | Resistive (voltage divider) |
| Linearity | 0,5 % |
| Output | Resistive output : 5 kOhm / 10 kOhm Analog output : 0-5 V, 0-10 V, 0-20 mA or 4-20 mA |
| Power supply | 24 VDC max. 15 - 30 V (voltage / current output) |
| Electrical connections | 2.5 m cable [standard] |
| Displacement speed | 2 m/s |
| Case material | Aluminium |
| Weight | < 1300 gr |
| Protection level | IP 65 |
| Operating temperature | -20°C ... +80°C |
| Storage temperature | -30°C ... +90°C |

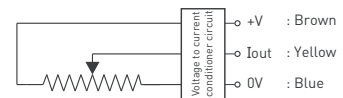
Mechanical Specifications



POTENTIOMETRIC OUTPUT



0-10V VOLTAGE OUTPUT



0-20mA / 4-20mA CURRENT OUTPUT

Ordering Procedure

| Model | Case type | Measurement stroke | Linearity | Output | Connector/cable | Cable output |
|-------|-----------|--------------------|-----------|--|--|----------------------------------|
| DWPM | 2 | 1250 | A | 5K | 2M5 | R |
| DWPM | 2 | 1250 - 4500 mm | A: 0,5% | 5K : 5K Ω 10K : 10K Ω V5 : 0-5V V10 : 0-10V I20 : 0-20mA I40 : 4-20mA | 2M5: 2.5 meter cable 5M : 5 meter cable 8M : 8 meter cable 10M : 10 meter cable | R: Radial A: Axial (optional) |